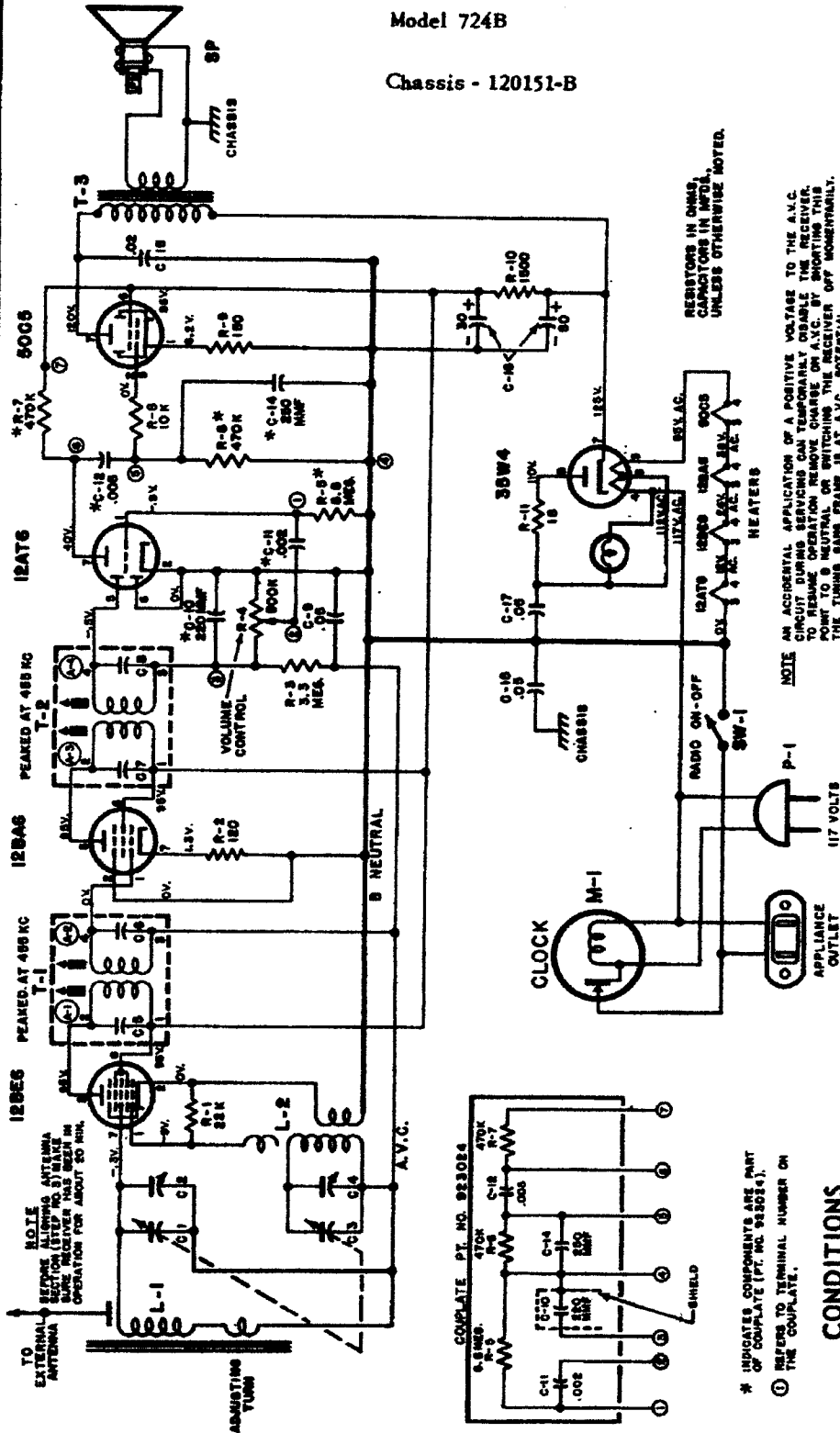


MANUAL OF 1953 MOST-OFTEN-NEEDED RADIO DIAGRAMS

Emerson Radio

Model 724B

Chassis - 120151-B



RESISTORS IN OHMS
CAPACITORS IN MICROFARADS
UNLESS OTHERWISE NOTED.

NOTE: AN ACCIDENTAL APPLICATION OF A POSITIVE VOLTAGE TO THE A.C. CIRCUIT DURING SERVICING CAN TEMPORARILY DISABLE THE RECEIVER. TO RESUME OPERATION REMOVE CHARGE ON A.C. BY SHORTING THIS POINT TO B NEUTRAL OR SWITCHING THE RECEIVER OFF MOMENTARILY. THE TUNING GANG PHASE IS AT A.C. POTENTIAL.

RESISTANCES ARE IN OHMS, UNLESS OTHERWISE INDICATED.

CONDITIONS

1. Voltages indicated are positive d.c.; resistances are in ohms, unless otherwise indicated.
2. Measurements made with voltohmmyst or equivalent.
3. Line voltage maintained at 117 volts a.c. for voltage measurements.
4. Socket connections are shown as bottom views, with measurements from pin to common negative.
5. Volume control at maximum; no signal applied for voltage measurements.
6. Nominal tolerance on component values makes possible a variation of ± 15% in voltage and resistance readings.
7. NC denotes no connection, K is kilohms, MEG is megohms. Resistances marked * are measured to pin 7 of rectifier 39W4 (B+).

RESISTANT READINGS FOR CHASSIS 120151-B

TUBE	PIN 1	PIN 2	PIN 3	PIN 4	PIN 5	PIN 6	PIN 7
12BE6	23K	5	12	24	1500*	1500*	4 MEG
12BA6	15	0	24	36	1500*	1500*	125
12AT6	6 MEG	0	0	12	500K	0	470*
50C5	150	470 K	36	85	470K	1500*	185*
39W4	N.C.	N.C.	85	115	110	115	0*

